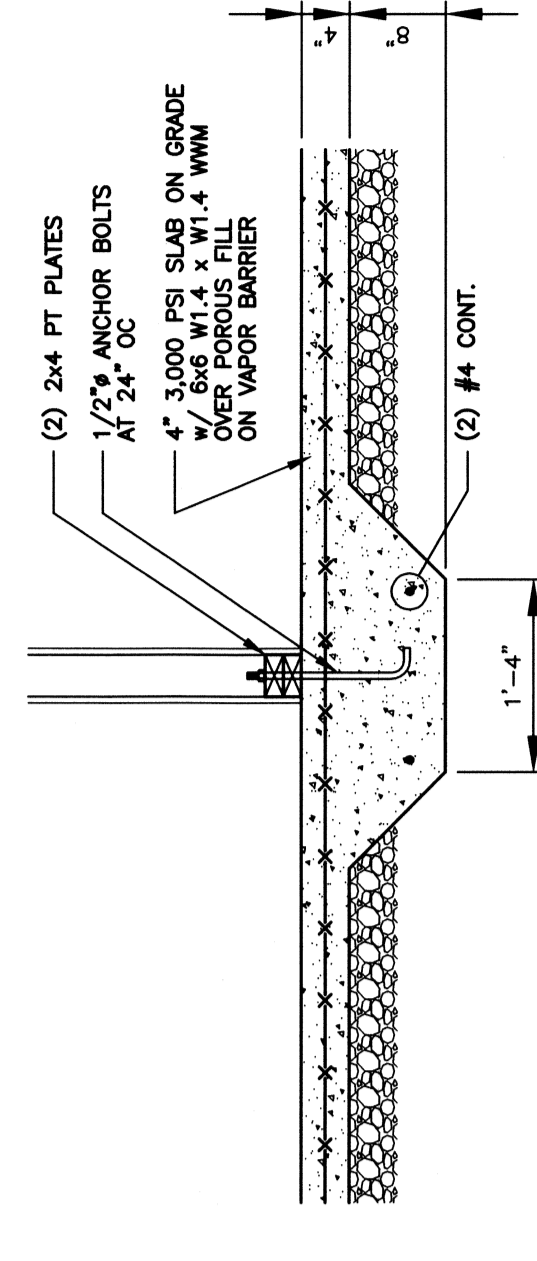
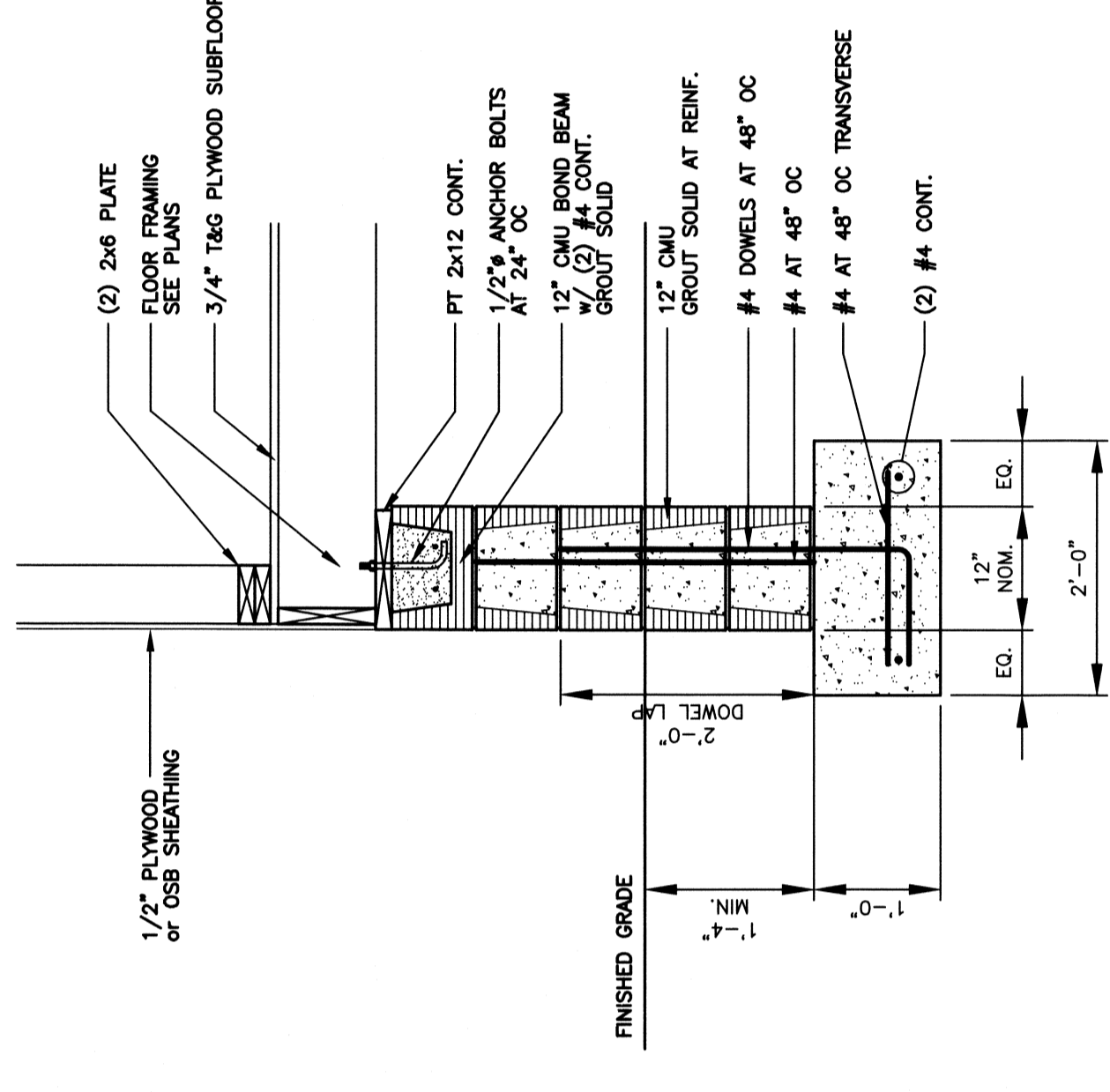


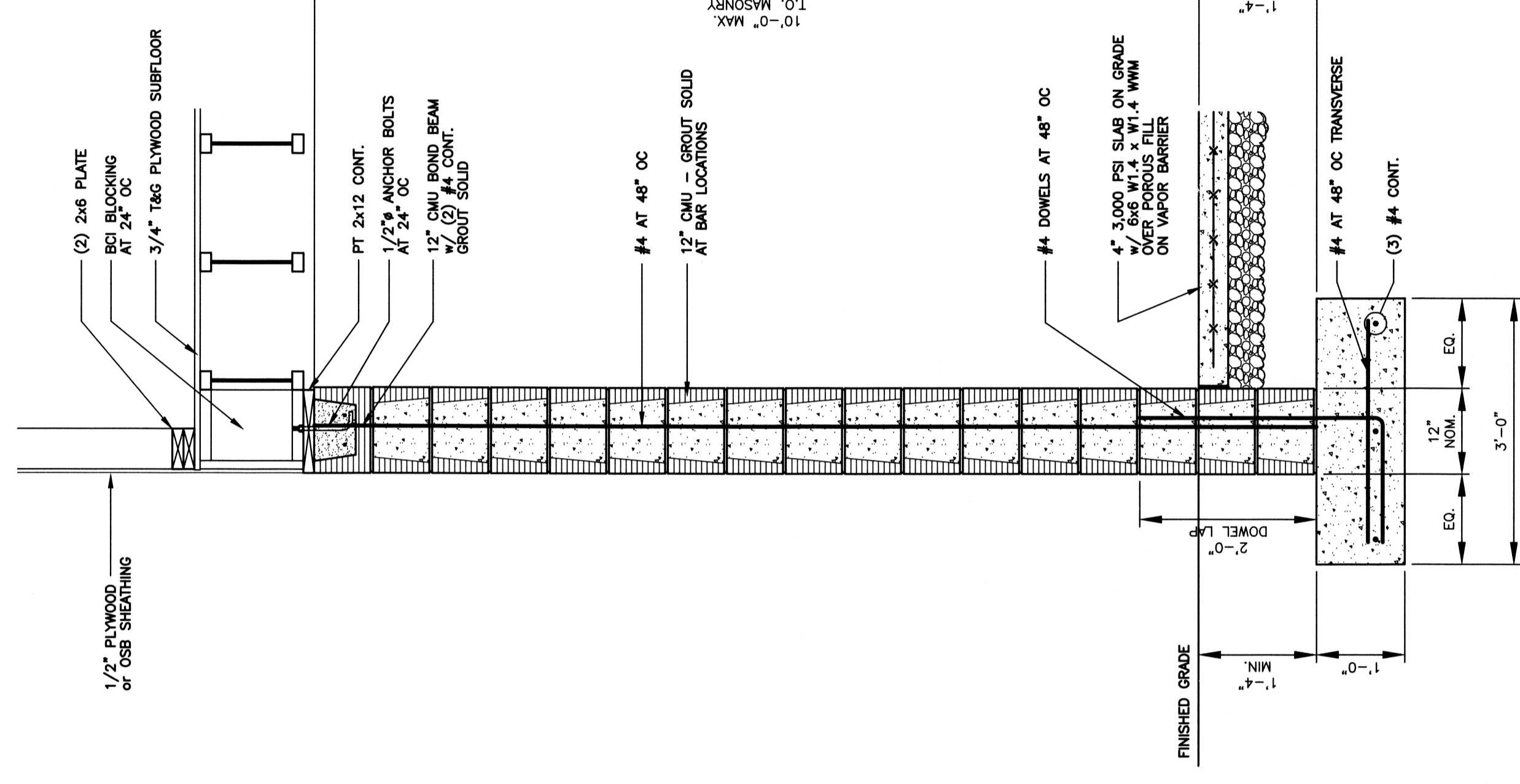
2 FOUNDATION WALL DETAIL  
SCALE: 3/4" = 1'-0"



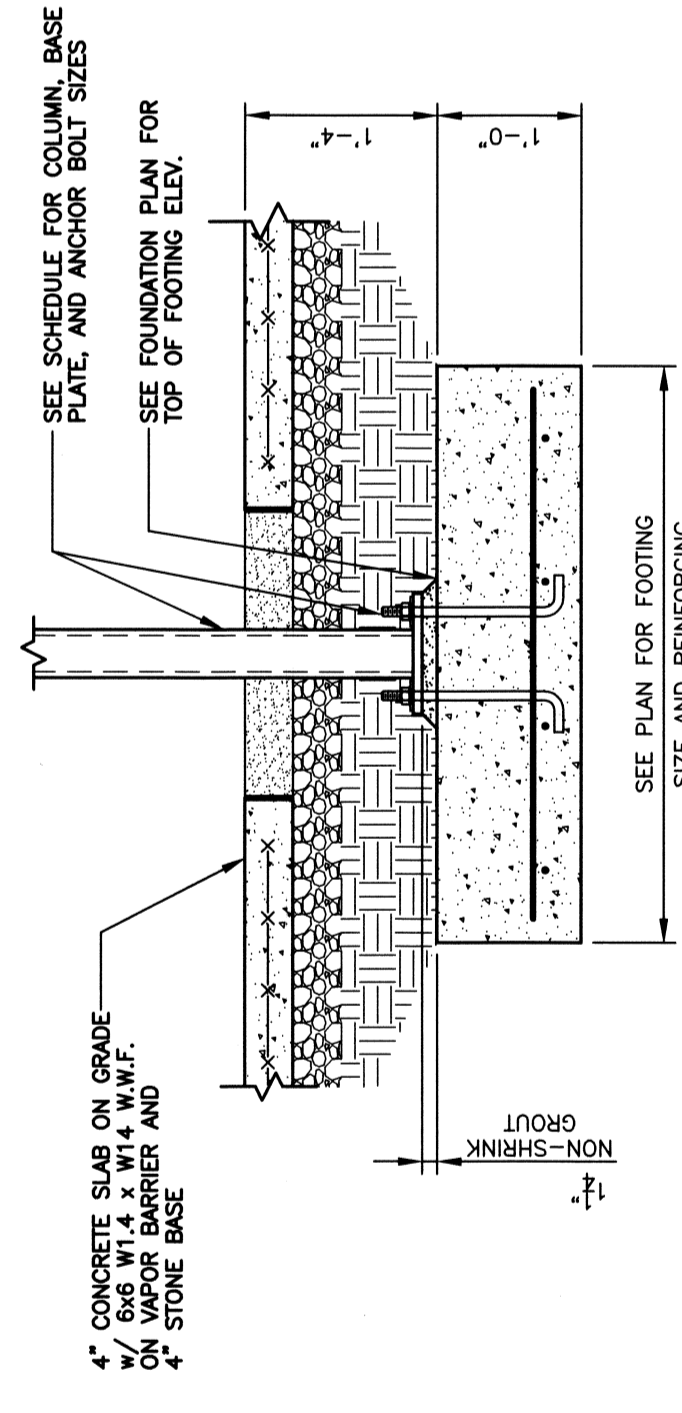
1 FOUNDATION DETAIL  
SCALE: 3/4" = 1'-0"



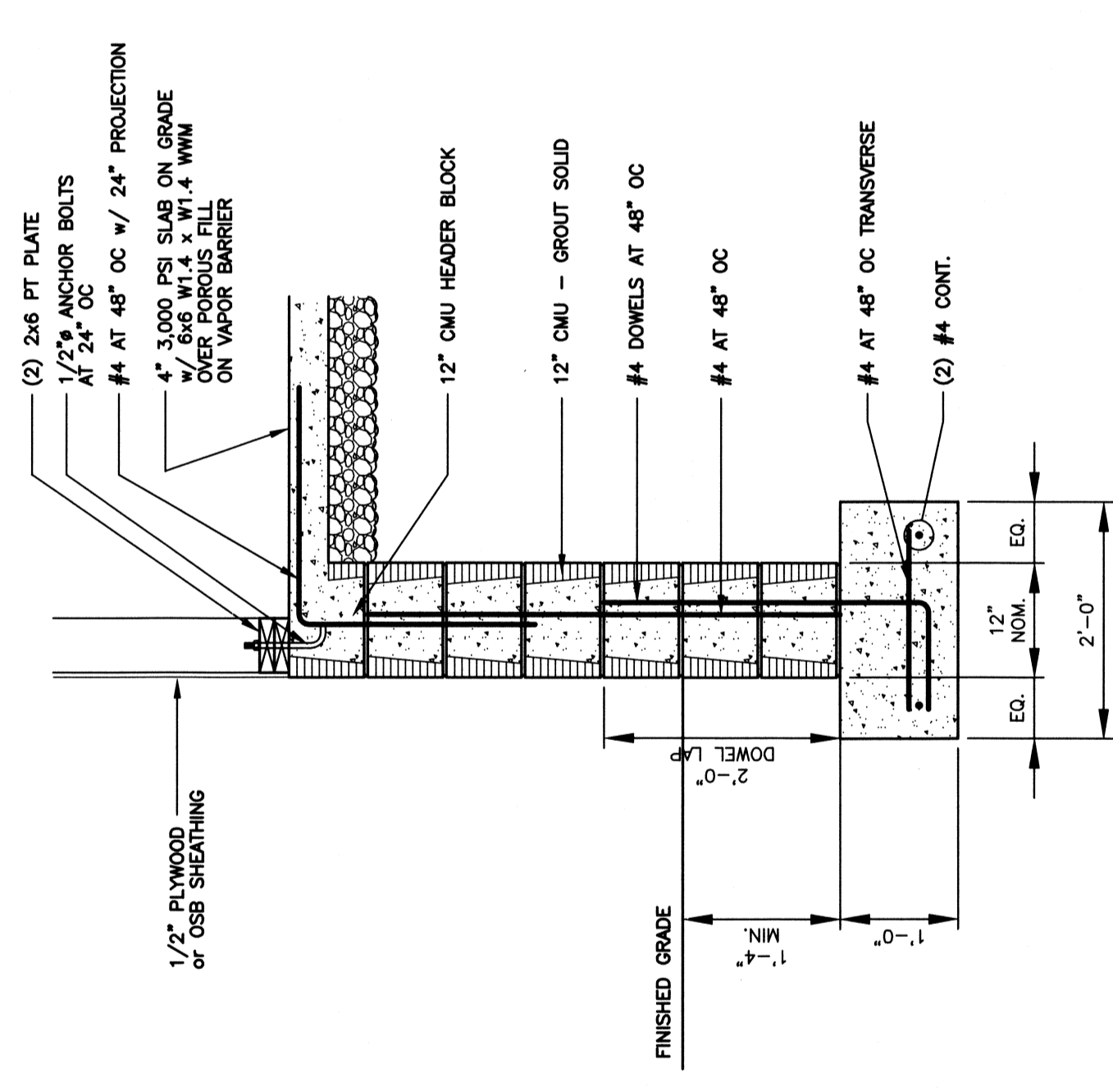
4 FOUNDATION WALL DETAIL  
SCALE: 3/4" = 1'-0"



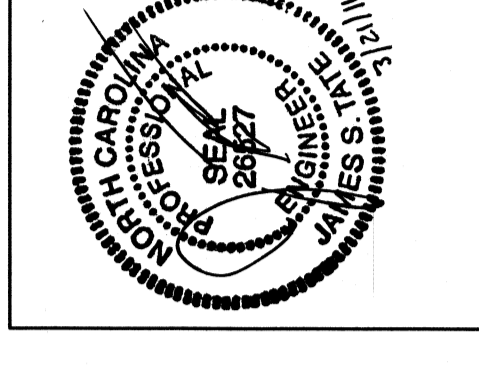
3 FOUNDATION WALL DETAIL  
SCALE: 3/4" = 1'-0"



6 COLUMN FOOTING DETAIL  
SCALE: 3/4" = 1'-0"



5 FOUNDATION WALL DETAIL  
SCALE: 3/4" = 1'-0"



Date: 03/21/11  
Revisions:

Drawn By: JES  
Project No.: 20111015

JAMES S. TATE  
STRUCTURAL ENGINEER  
P.O. BOX 2018 / HICKORY, NC 28601  
TELEPHONE (866) 358-4581  
FAX (866) 358-1001

# Murphy Residence

## Blowing Rock, North Carolina