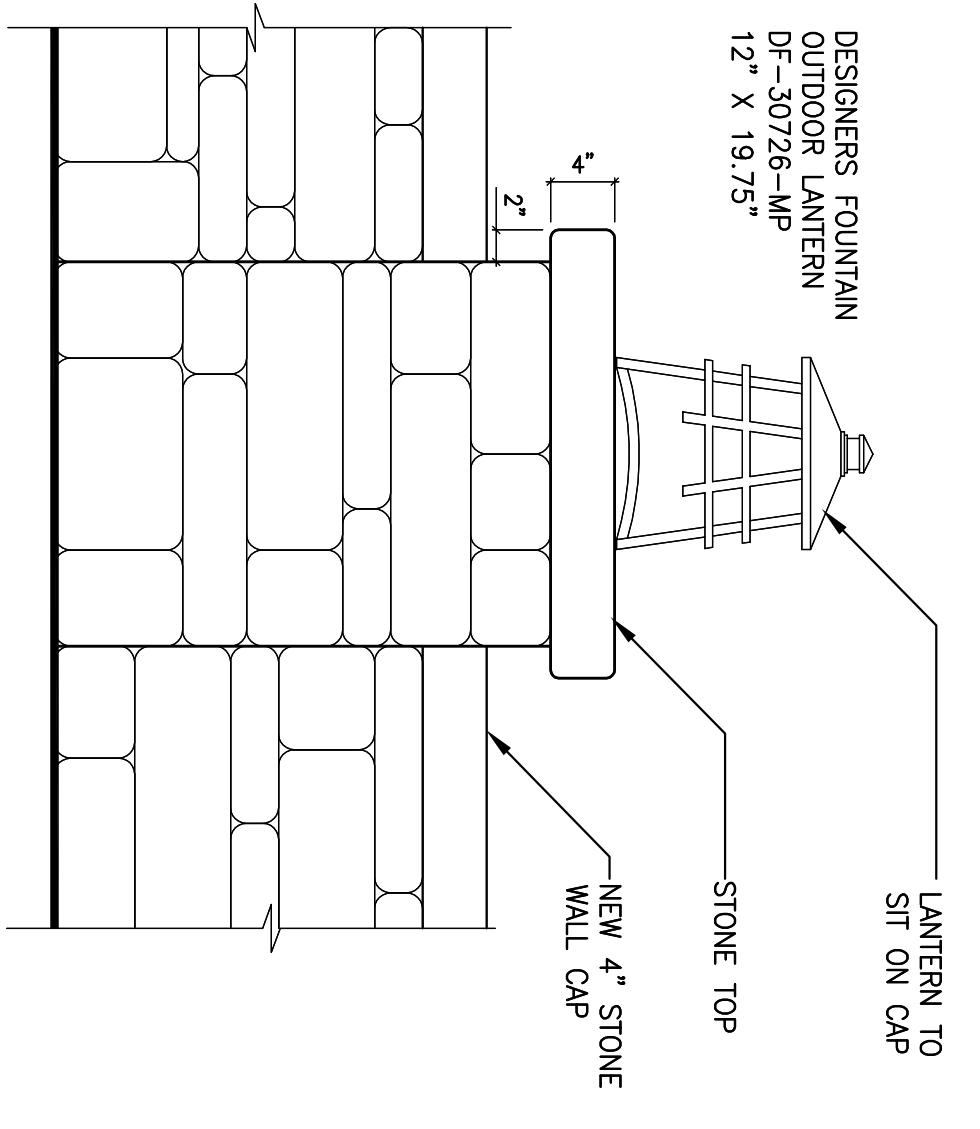
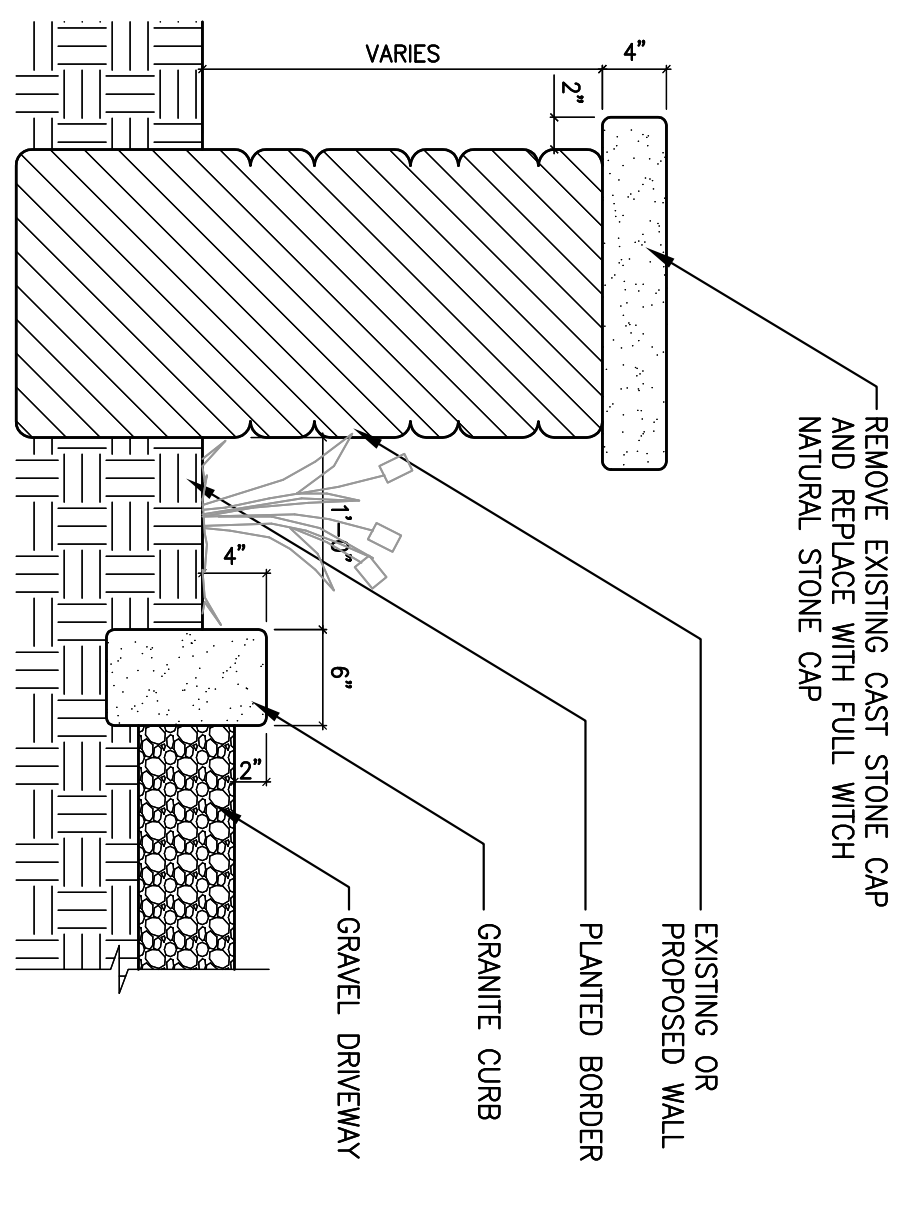


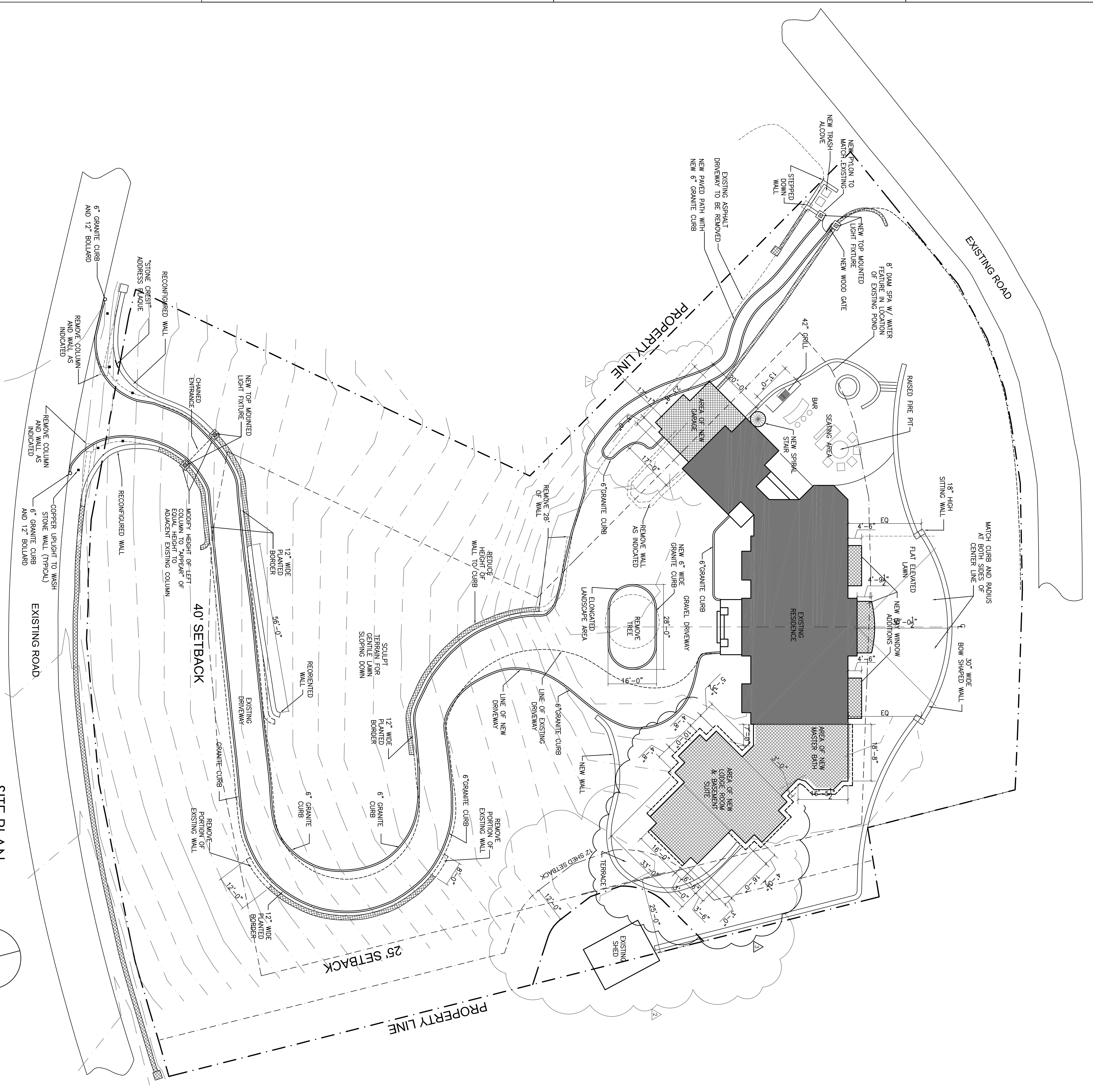
④ CURB & BOLLARD DETAIL  
SCALE 1/8"=1'-0"



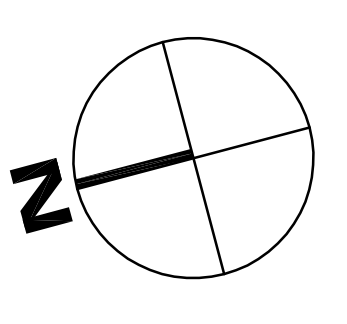
③ COLUMN & POST LIGHT DETAIL  
SCALE 1/8"=1'-0"



② CURB DETAIL  
SCALE 1/8"=1'-0"



① SITE PLAN  
PROPOSED  
SCALE 1/16"=1'-0"



- DEMOLITION LEGEND**
- EXISTING WALL TO REMAIN
  - EXISTING WALL OR COLUMN TO BE REMOVED
  - EXISTING DRIVEWAY TO BE RELOCATED

**The Stone Crest Residence**  
 Lot #10 Greystone at Mayview  
 BLOWING ROCK, NORTH CAROLINA  
 (DESIGN DEVELOPMENT PHASE)

ARCHITECTURE AND INTERIOR DESIGN  
**TAYLOR & TAYLOR**  
 1211 ALTON RD. MIAMI BEACH, FL 33139 W. FLA. CORP.  
 TEL 305.534.9862 FAX 305.534.1582

LC No. - R-2880

REVISION:	#	ISSUE:
	01/13/11	GENERAL REVISION
	02/23/11	GENERAL REVISION

DATE:	10/26/10
DESIGNED BY:	TT
SCALE:	AS SHOWN
TITLE:	SITE PLAN
SHEET NUMBER:	A-0.1